



Monostable rotary solenoid with springless return

Reliable, flexible and compact



Who we are and where we are heading

Kendrion N.V. develops, manufactures and markets innovative and high-quality electromagnetic and mechatronic systems and components for customers all over the world.

In the business unit Industrial Magnetic Systems (IMS) the focus lies on electromagnetic actuators and mechatronic assemblies for applications in power engineering, safety engineering, machine building, automation technology and other industries.

We always think in terms of solutions. Our strength lies in new developments for our customers. Our engineers are specialists for innovative products with optimum technical properties.

Furthermore, we develop mechanical assemblies, modern drive electronics and sensor systems to your requirements.

By means of segmented production facilities we can implement both small quantities and large series with an optimum degree of automation.

Our products are manufactured in Germany at the parent companies Donaueschingen and Engelswies as well as in the USA, China and Romania. This ensures efficient project management and a demand-oriented delivery for our internationally operating customers.

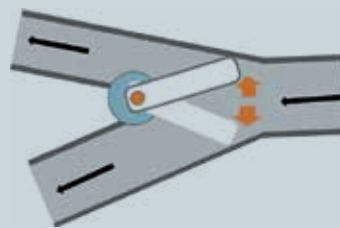
With our subsidiaries in Switzerland, Austria, Italy, the USA and China and our worldwide distribution network we are your ideal partner on site.

Kendrion – We magnetise the world

Kendrion presents this monostable rotary solenoid with springless return



Switch system



Turning Lock

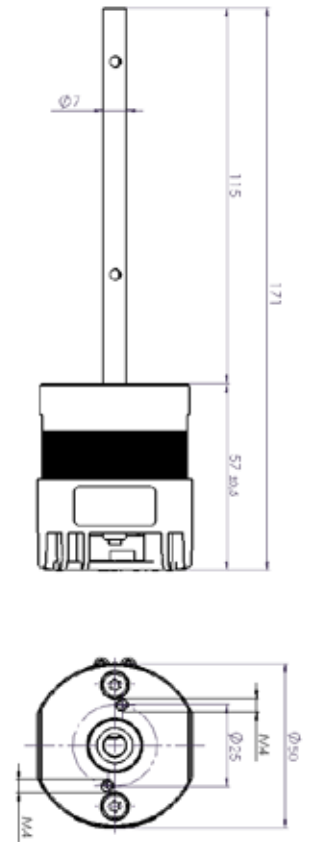


Unique Selling Propositions

- Stopper integrated at the bottom
 - Noise reduction
 - Reduced total assembly costs
- Plug & play rotary solenoid: can be integrated into existing machines
- No maintenance required (100 Mio operations) → low lifecycle cost

**Monostable rotary solenoid with springless return
PDM050**

rotation angle	15 - 40°
bounce	< 2°
stopper	on the bottom
switching time	15 ms
nominal voltage	14V - 42V
DC o. AC	DC
durability	100 million cycles
position detection	hall sensor
protection class	IP 50



Application areas

Kendrion rotary solenoids are used in a number of applications such as postal sorting, ATMs, circuit breakers and other sorting machinery. We built miniature versions and ones with four inches in diameter, the range for possible rotational angles is just as wide.

Many features can be integrated into our solenoids, e.g. low cost position control via hall sensor or rubber end stops and electronics to reduce bouncing to a minimum.

We offer you both customer-specific and standardized products. We offer a variety of products including linear solenoids, latching solenoids, holding magnets, rotary solenoids, vibratory solenoids and solenoid valves.





WE MAGNETISE THE WORLD

Kendrion (Donaueschingen/Engelswies) GmbH
Fred-Hahn-Straße 33
72514 Inzigkofen-Engelswies
Germany
Tel: +49 7575 208-0
Fax +49 7575 8009-3190
sales-ims@kendrion.com
www.kendrion.com